



COMBiLiFT

Customized Handling Solutions

COMBi[®]-CBE

Compact multi-directional electric forklift



> Handles Palletized & Long Loads

> Operates Indoors & Outdoors

www.COMBiLiFT.com

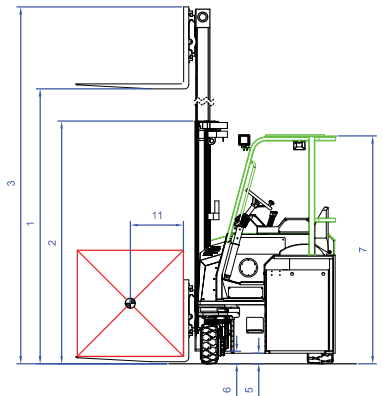


SPECIFICATIONS

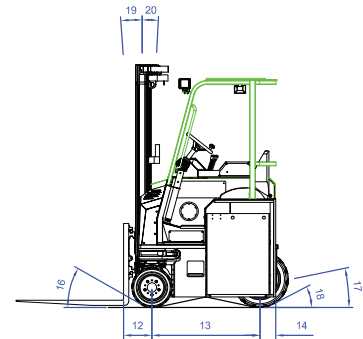
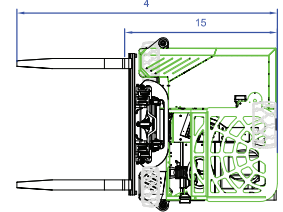
COMBi[®]-CBE

Protected by Design Registration Copyright: European Community No.: 000725668-0001 | US No.: D579, 624 | Canadian No.: 123292 | Australian No.: 318370 | Russian Federation No.: 70814 | Korean No.: 30-0516087 | Japanese No.: 1330896 | Taiwan No.: D126056 | Chinese No.: ZL200730329732.6

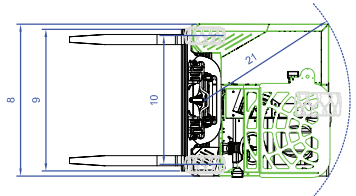
Ref.	MACHINE SPECIFICATIONS	CBE 5,000 lbs.		CBE 6,000 lbs.	
		MAST OPTIONS			
1 a	Max. Lift Height	157"	192"	216"	236"
1 b	Free Lift Height	0"	52"	60"	67"
2	Height Mast Closed	105"	88"	96"	104"
3	Max. (Mast raised)	190"	228"	251"	270"
4	Overall Length	101"		103"	
5	Ground Clearance Under Mast	5"			
6	Ground Clearance to Wheelbase Center	4"			
7	Height of Overhead Guard	88 ½"			
8	Width	59"			
9	Outside Spread of Fork Arms	52 ½"			
10	Track Front	50"			
11	Load Center Distance	24"			
12	Overhang Front	11"			
13	Wheel Base	42"			
14	Overhang Back	6"			
15	Length From Face of Fork	59"	61"		
16	Approach Angle	30°			
17	Ramp Angle	15°			
18	Departure Angle	30°			
19	Forward Tilt	3°			
20	Backward Tilt	5°			
21	Minimum Outside Radius	55"			
A	Capacity	5,000 lbs.		6,000 lbs.	
B	Unladen Weight	14,500 lbs.		15,450 lbs.	
C	Maximum Ground Speed	7 mph			
D	Gradeability	10%			
E	Battery Capacity	48v / 930Ah			
F	AC Electric Traction Motor x 2	48v / 7hp			
G	AC Electric Pump Motor	48v / 19hp			
H	Fork Section	5" x 2" x 42"			
I	16 x 7 – 10.5 Front Tire x 2	OD 16" / Width 7"			
J	22 x 10 x 16 Rear Tire x 1	OD 22" / Width 10"			
K	Standard Color	Green and Grey			
L	Suspension Seat	KAB Model 211			



SIDEWARD MODE



FRONTAL MODE



COMBiLiFT USA

303 Concord Street, Greensboro, North Carolina 27406

Toll Free: 1 - 877 COMBI 56

Tel: 336 - 378 - 8884 Fax: 336 - 378 - 8842

E: info@combilift.com

FEATURES INCLUDE:

- Open cabin
- Load sensing steering
- 4-Way lever positioning of wheels
- System Communication via CAN-BUS
- Multi-direction operation
- 2 Wheel Electric Drive
- Powered by AC Technology

Distributed by: