



SPECIFICATIONS

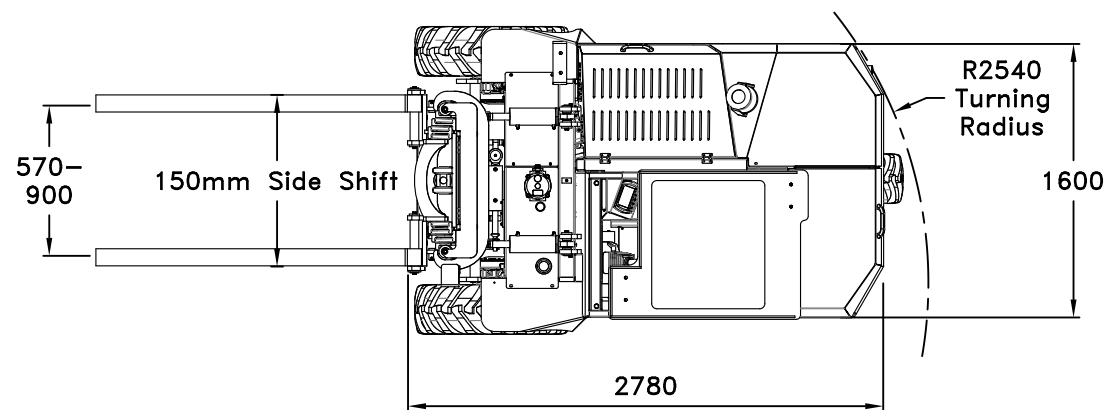
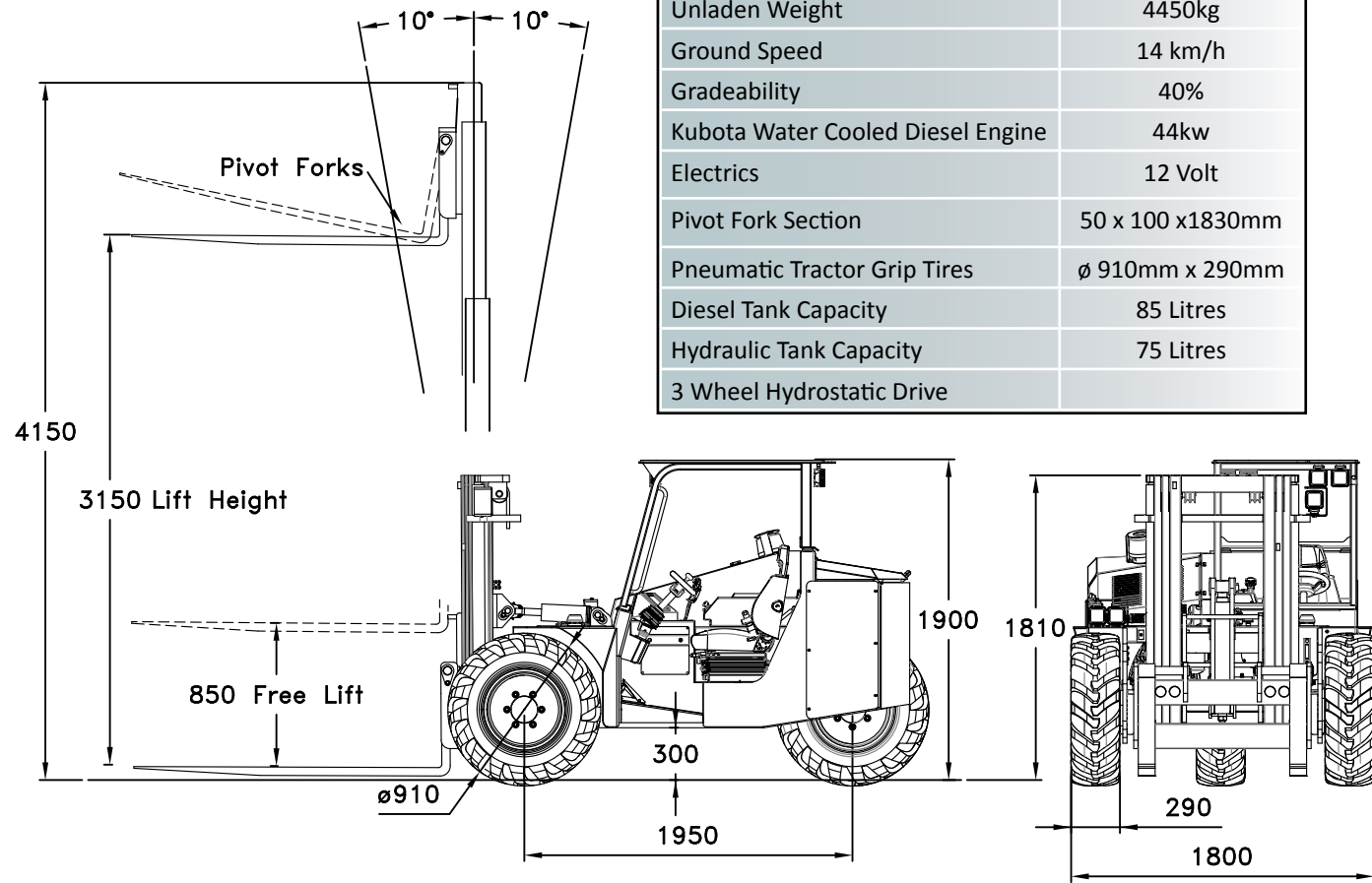
COMBi - RT



COMBiLiFT

THE Solution to your Poultry Collection Problems

DESCRIPTION	Metric
Capacity	1250kg @1200mm
Unladen Weight	4450kg
Ground Speed	14 km/h
Gradeability	40%
Kubota Water Cooled Diesel Engine	44kw
Electrics	12 Volt
Pivot Fork Section	50 x 100 x1830mm
Pneumatic Tractor Grip Tires	ø 910mm x 290mm
Diesel Tank Capacity	85 Litres
Hydraulic Tank Capacity	75 Litres
3 Wheel Hydrostatic Drive	



Distributed by

COMBiLiFT
Gallinagh, Co Monaghan, IRELAND
Tel: +353 47 80500 Fax: +353 47 80501
E: info@combilift.com

FEATURES:

- 3 Wheel Maneuverability
- Hydrostatic
- All Wheel Drive
- Large Tractor Grip Tires
- Deep Suspension Seat
- Back Up Alarm
- 150mm Mast Side Shift
- Pivot Forks



- BENEFITS:**
- Small Turning Radius
 - Reduced Maintenance Costs
 - No Mechanical Brakes To Adjust Or Replace
 - Large Ground Clearance
 - Offset Driving Position Gives Excellent Visibility-for Positioning Poultry Cage
 - Diff-lock

