

C-SERIES C10,000 XLE

The electric multi-directional forklift designed for the safe, space saving and productive handling of long and bulky loads.

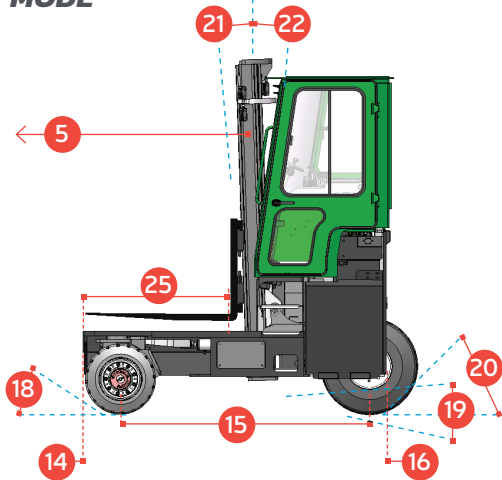
COMBILIFT

LIFTING INNOVATION

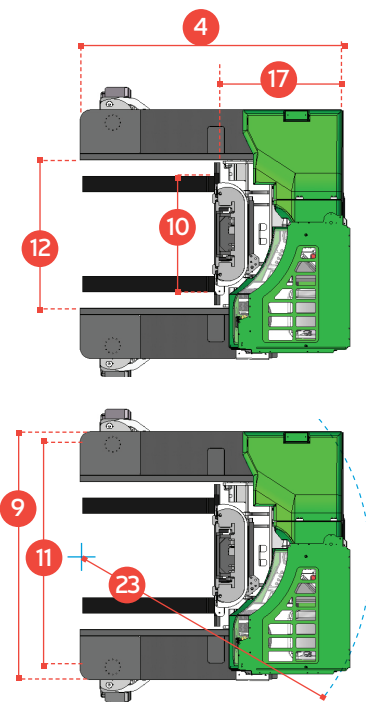
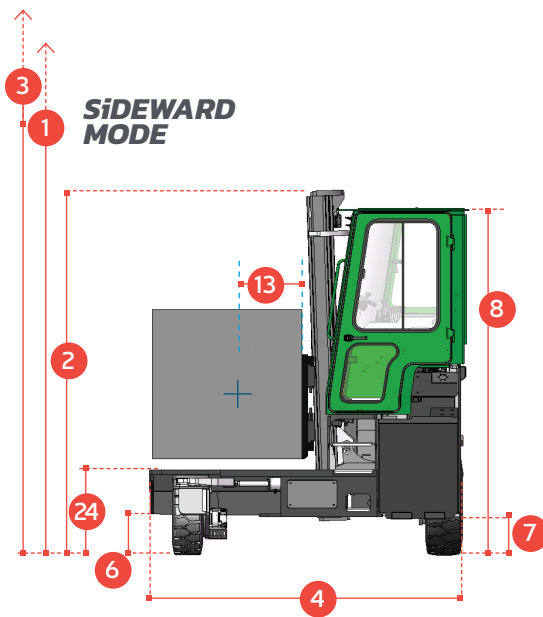


C-SERIES C10,000 XLE

FRONTAL MODE

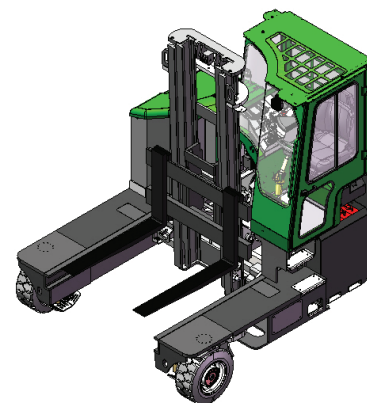


SIDWARD MODE



REF.	DESCRIPTION	C12000 XLE
1a	Max. Lift Height	159
1b	Freelift Height	0
2	Height Mast Closed	118
3	Max. (Mast raised)	197
4	Overall Length	99 ½
5	Mast Travel	51
6	Ground Clearance Under Mast	11
7	Ground Clearance to Centre of Wheelbase	12
8	Height Over Cab (Without work - lights)	110
9	Width	93
10	Outside Spread of Fork Arms	53
11	Track Front	2115
12	Frame Opening	55
13	Load Centre Distance	23 ½
14	Overhang Front	12
15	Wheelbase	81
16	Overhang Back	165
17	Length From Face of Fork	6 ½
18	Approach Angle	45°
19	Ramp Angle	29°
20	Departure Angle	45°
21	Forward Tilt	3°
22	Backward Tilt	5°
23	Minimum Outside Radius	98 ½
24	Platform Height	27
25	Platform Length	47 ¼
A	Capacity	12000 lbs
B	Unladen Weight	15653
C	Maximum Ground Speed	14 km/h
D	Gradability	10%
E	Battery Capacity (V / Ah)	80V / 700Ah
F	Fork Section	6 x 2 x 47
G	23x10x12 Superelastic Front Tyre	OD 23 / Width 10
H	355/65-15 Superelastic Rear Tyre	OD 31 ½ / Width 11 ½
I	Standard Colour	Green & Grey
J	AC Electric Traction Motor x 3	80V / 5kW Rear & 2 x 80V 3kW Front
K	AC Electric Pump Motor	80V / 19kW

Multi-Directional



Features Include:

- Rubber Mounted Cabin
- AC Motor Technology
- Multi-Direction Operation
- Load Sensing Steering
- Curtis AC Software
- 4 Way Lever Positioning of Wheels
- 3 Wheel Drive

International Patent Application No. PCT/EP2014/053066; UK Patent Application No. GB 1302811.3

COMBILIFT HAS A POLICY OF CONTINUOUS PRODUCT DEVELOPMENT AND RESERVES THE RIGHT TO ALTER SPECIFICATIONS WITHOUT PRIOR NOTICE. SPECIFICATIONS AND/OR DIMENSIONS MAY VARY FROM THOSE ILLUSTRATED IN SOME COUNTRIES.